



boutique

## KX-5+H + 2 EMT + S35

The multipurpose electric ovens tower is designed for small spaces and to bake facing the public. It consists of a convection oven and two stackable separate modules, allowing the baking of a large variety of products.

### STRUCTURE

- **Motorised damper**  
In all versions. It does away with the need for manual operator action halfway through baking.
- **Sealed baking chamber**
- **COOL-TOUCH door in kwik-co oven**  
Double-glazed door with easy-open system for cleaning. Cool external glass due to a system of thermal insulation and “Low-E” low emissivity glass.
- **Bakery door in EMT oven**  
With a new mechanism for easy cleanliness.
- **High density insulation**  
High capacity of heat retention inside the oven.
- **Steam**  
Rapid recovery and high performance steam generator.

### PRODUCT NEWS

#### New aesthetics ■

The new aesthetic provides quality and elegance to the product, that next to the robustness that transmits the new handles, mark the personality of SALVA.

#### Variety of baking ■

The combination of convection and radiation ovens provide variety of baking to the customer, giving the possibility of produce a large variety of products.

#### ECO energy design ■

Full load resistance is active only the 55% of the baking time in the kwik-co oven.

#### Connectivity ■

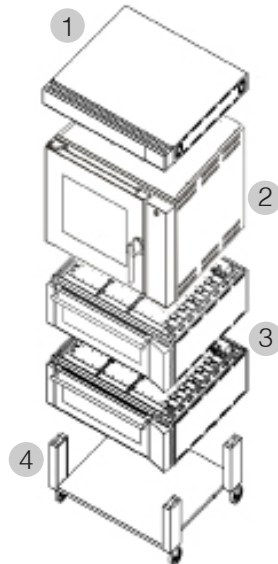
The E-FUTURE control panel means it can connect to the internet via the SALVA LINK program and be controlled from any mobile device.

## OVEN COMPOSITION AND DETAILS

- 1 Top module  
Essential.  
Height: 165 mm.

- 2 KX-5+H oven  
Height: 535 mm.  
Capacity: 5 trays (60 x 40 cm)  
o 5 trays (66 x 46 cm).

kW	V	A	Hz	Consumption
7.5 III+N+T	230	19	50/60	0.19 kWh/kg
	400	11		



- 3 Two EMT module  
Height: 315 mm/module.  
Capacity: 2 trays (60 x 40 cm)/module.

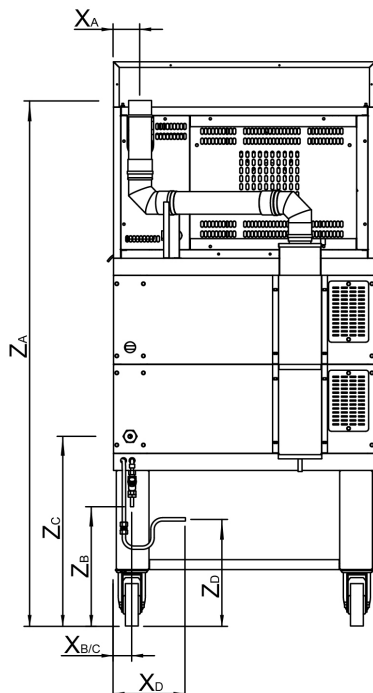
kW/module	V	A	Hz	Consumption
6.13 III+N+T	230	13.6	50/60	- kWh/kg (per module)
	400	7.4		

- 4 Support  
Legs height: 350 mm.  
Wheels height: 200 mm.

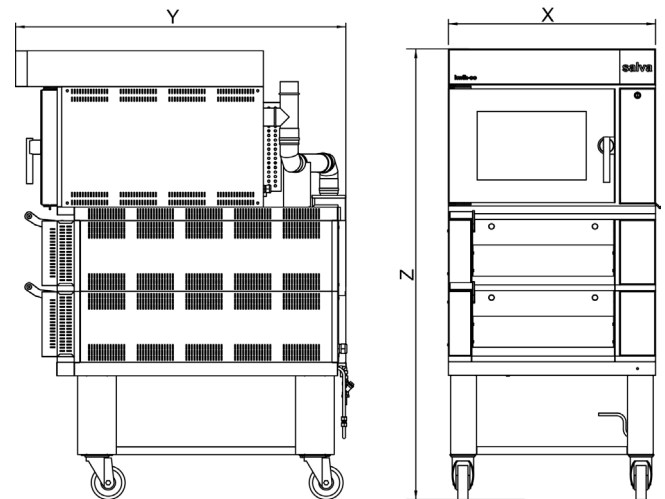
■ Tower total power: 17.3 kW.

## INSTALLATIONS IN DETAIL

- A Baking chamber fumes chimney  
It is recommendable to use a standard independent insulated damper of 200 mm (6.9") inside diameter.
- B Water supply  
The EMT oven needs outlet water pressure between 1,5-2,5 kg/cm<sup>2</sup> and end of the tube of 1/2"(23.3 mm) male connector. The kwik-co needs outlet water pressure lower than 0,5 bar and 3/4" (19,05 mm) female connector.
- C Electric power supply  
The electrical connection should be performed by authorized professionals, following the rules in force in each country.
- D Drain  
Kwik-co oven: connection to the oven by 30 mm internal diameter flexible rubber tube.  
EMT oven: 1" drain connected to the oven by 14 mm internal diameter flexible hose.



## GENERAL DIMENSIONS



X	Y	Z
915 mm	1465 mm	1880 mm

Facilities location (mm) ■

	X	Y	Z
A Baking chamber fumes chimney	93	-	1835
B Water supply	65	-	421,7
C Electric power supply	65	-	610
D Drain	251,4	-	377

Technical sheet\_KX5+H+2EMT+S\_(english)201117