

TB3Q-LP

Height: 28.8" (73.2cm) Width: 11.5" (29.2cm) Depth: 22.5" (57.2cm)

- Quickbrew has shorter brewing cycle
- Brews directly into included TDO-3.5gal dispenser with brew-through lid
- Sleek, compact, low-profile styling to accommodate a variety of spaces
- SplashGard® funnel deflects hot liquids away from the hand



Server(s) sold separately

Agency:



Specifications

Product #: 36700.0100
Water Access: Plumbed
Finish: Stainless
Funnel: Translucent Tea Funnel

Additional Features

Low Profile
 Quickbrew Funnel Tip
 TDO-3.5 LP Dispenser Included
 Quick Brew

Electrical & Capacity

Volts*	Amps	Watts	Cord Attached	Plug Type	8oz cups/hr 236ml cups/hr	Input H ² O Temp.	Phase	# Wires plus Ground	Hertz
120	14.2	1700	Yes	NEMA 5-15P	336	60°F (15.5°C)	1	2	60

*When a BUNN is machine rated 120/208-240V, 120/208V or 120/240V, the higher voltage is the supply voltage needed to power the machine. The 120V is there to supply power to some components rated 120V in the machine, but it is not the supply voltage and would not power the machine if the machine is marked with the before mentioned ratings.

Plumbing Requirements

PSI	kPa	Fitting Supplied	Water Flow Required (GPM)
20-90	138-621	1/4" Male Flare Fitting	-

WARNING:

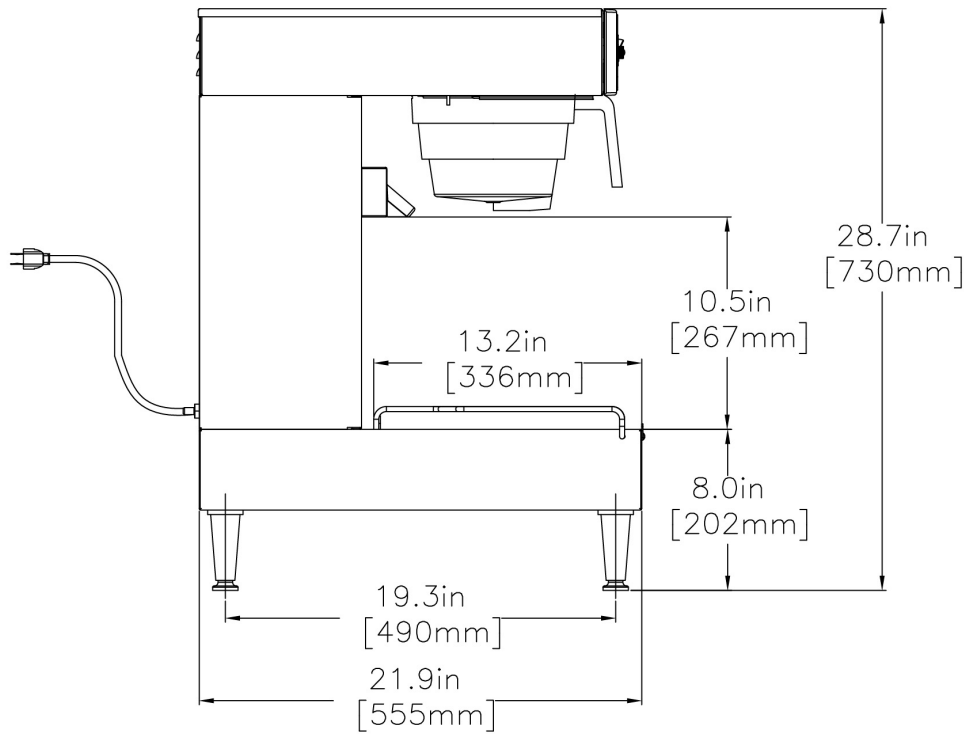
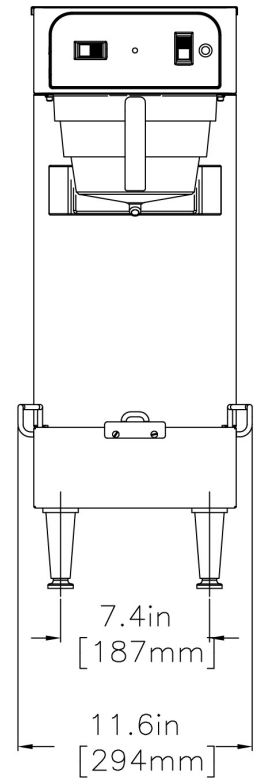
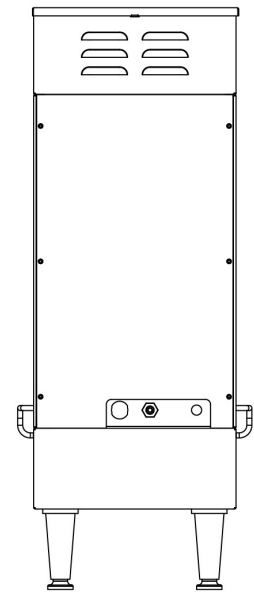
CAD Drawings

2D	Revit	KLC
●		



BUNN® reserves the right to change specifications and product design without notice. Such revisions do not entitle the buyer to corresponding changes, improvements, additions or replacements for previously purchased equipment. For most current specifications and other info visit bunn.com.

Last Updated:
08/13/2021



	Unit			Shipping				
	Height	Width	Depth	Height	Width	Depth	Weight	Volume
English	28.8 in.	11.5 in.	22.5 in.	32.8 in.	13.7 in.	26.4 in.	41.250 lbs	6.871 ft ³
Metric	73.2 cm	29.2 cm	57.2 cm	83.2 cm	34.9 cm	67.0 cm	18.711 kgs	0.195 m ³



BUNN® reserves the right to change specifications and product design without notice. Such revisions do not entitle the buyer to corresponding changes, improvements, additions or replacements for previously purchased equipment. For most current specifications and other info visit bunn.com.

Last Updated:
08/13/2021

Related Products & Accessories:TB3Q-LP(36700.0100)



FUNNEL AY,SMOKE-
QUICK BREW(TW

Product #: 03021.0005



FILTERS TEA/SYS2
500PK/1 50/CL

Product #: 20100.0000



POUCHPACK FUNL
ASSY,TEA Q-T

Product #: 35282.0001



POUCHPACK FUNL AY,
TEA S-T

Product #: 35282.0002



BUNN® reserves the right to change specifications and product design without notice. Such revisions do not entitle the buyer to corresponding changes, improvements, additions or replacements for previously purchased equipment. For most current specifications and other info visit bunn.com.

Last Updated:
08/13/2021

Serving & Holding Options: TB3Q-LP(36700.0100)



TDO-3.5,LP RSVR BREW
THRU

Product #:37100.0000



BUNN® reserves the right to change specifications and product design without notice. Such revisions do not entitle the buyer to corresponding changes, improvements, additions or replacements for previously purchased equipment. For most current specifications and other info visit bunn.com.

Last Updated:
08/13/2021